



8 COLORS  
CONFIGURATIONS



# VAZ THERMOSTATIC HEAD



## THE TERMA SMART WI-FI SYSTEM:

- an innovative interior heating system with a self-learning control algorithm,
- the possibility of creating an individual configuration based on three types of devices and two types of sensors,
- a set of tools facilitating conscious energy management and savings, such as predefined system operation modes, individual schedules or window opening control,
- active adjustment of operating parameters to weather conditions,
- intelligent reduction of the temperature in an empty house and raising it when residents return home;
- possibility of remote control over the system operation via the Internet,
- *Child lock* function (parental control) for all devices,
- no need to install an expensive module for communication between devices.

## FUNCTIONS AND FEATURES

### SOPHISTICATED DESIGN

Sophisticated design of the SMART family, elegant black or the timeless white of the housing are the hallmarks of the VAZ thermostatic head. Together with the fading display, they enhance the subtle looks of the entire device. The thermostatic head is powered by a high-performance battery cell, which can last for the entire heating season on a single charge\* (depending on the selected operating mode). Extremely easy installation and the auto-calibration procedure allow the head to be installed in almost any radiator and on any type of thermostatic valve. Basic regulations are available through the control panel of the device, and the full functionality of the system is realised through the TERMA Smart mobile application. The device works with window opening sensors and an additional temperature and humidity sensor from the SMART series.

(\* in ECONOMY mode, with moderate intensity of system operation)

### FUNCTIONALITY

The remotely controlled VAZ Smart thermostatic head offers 5 room temperature settings ranging from 15 to 28 °C and a 7-day work schedule. The full functionality of the head is available through the TERMA Smart control application. The device has a built-in temperature sensor, but as part of the Smart system it also works with an external temperature and humidity sensor and a window opening sensor.

### REMOTE CONTROL

The device can be controlled remotely by means of the free TERMA Smart control application (Android / iOS) installed on any portable device (e.g. smartphone or tablet) that allows connection to the Wi-Fi network. From a single mobile device, we can control any number of Smart series devices, both locally from home and externally, via the Internet. The Smart system consists only of heating devices and sensors, and no additional control module is required.

### SAFETY OF THE INSTALLATION AND THE HEATER

The head features the ANTIFROST function activated automatically when the ambient temperature drops to approx. 6 °C in order to prevent the radiator from freezing. Also in the event of a critically low battery level, the head opens the valve in emergency mode to avoid accidental freezing of the system. The device signals alarm states directly on the interface and through the control application.

### DESIGN AND CONSTRUCTION

The 5-segment LED indicator shows the currently set operating temperature and signals the active additional functions. The control panel adapts to the installation position of the head (vertical or horizontal). Battery charging socket is hidden under the front cover. The pushing shaft retraction function allows convenient installation and removal of the head. Ready for mounting on the valve with M30x1.5 thread (adapters for Danfoss RA, RAV, RAVL, M28x1.5 valves and Giacomini and Caleffi valves available as separate accessories).

## COLOURS

Main housing with the control panel in white or black. Decorative side covers in the following colours: white, silver, chrome and black. The device is also available in any RAL colour and Terma special colours (brass and gold) subject to a minimum order of 100 pcs per colour.



## TECHNICAL SPECIFICATIONS

Power supply: 5.8 Ah battery pack

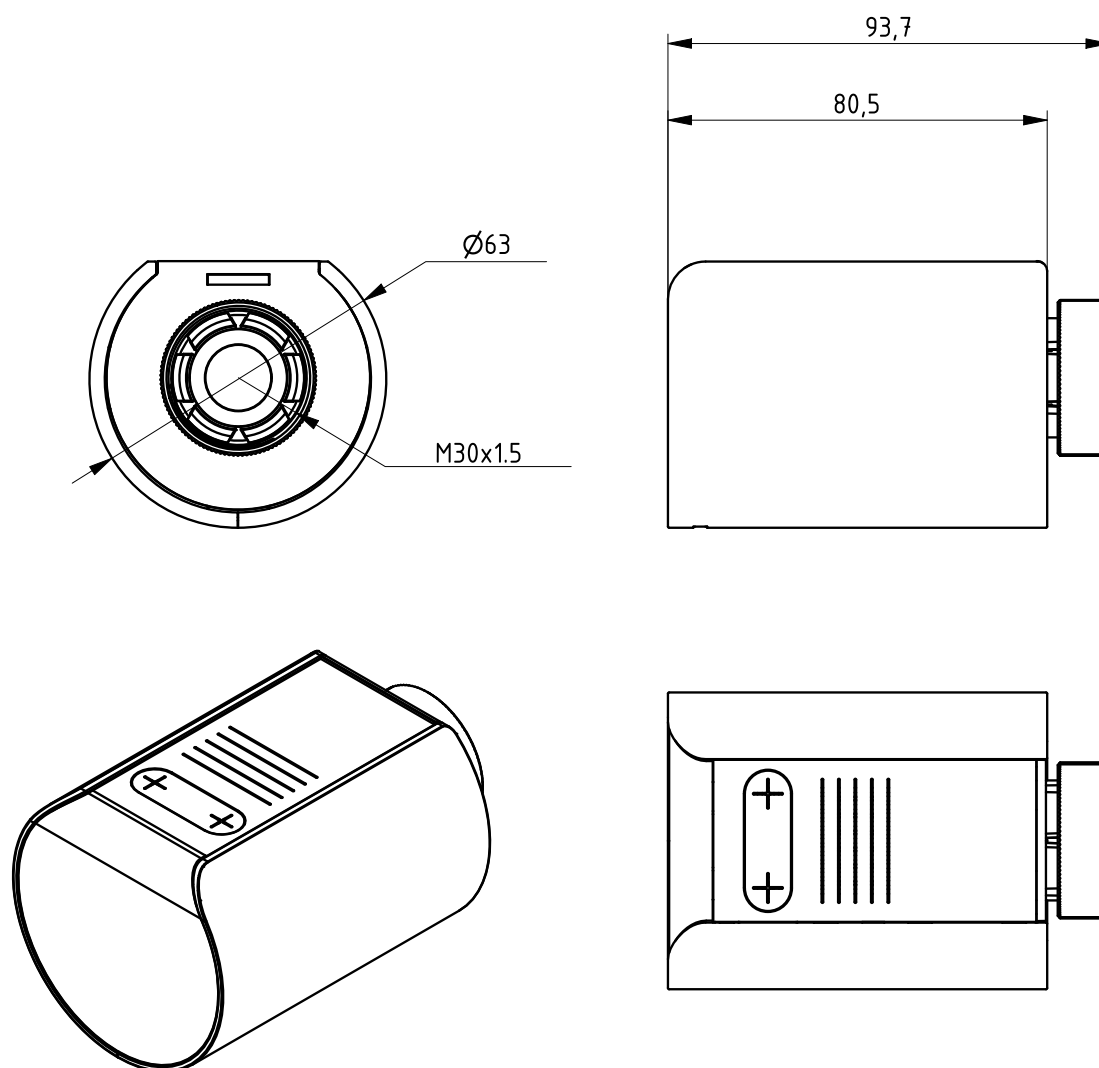
Device protection class: Class III

Radiator connection: M30 x 1,5

IP code\*: IP20

\* IP code specifies the degree of protection provided by enclosure

## TECHNICAL DRAWING



## SPECIFICATION

model	housing colour code	side covers colour	product code	configuration code
VAZ	Biały	Biały	WIVAZ	KWWX
VAZ	Biały	Czarny	WIVAZ	KWBX
VAZ	Biały	Silver	WIVAZ	KWSX
VAZ	Biały	Chrom	WIVAZ	KWCX
VAZ	Czarny	Biały	WIVAZ	KBWX
VAZ	Czarny	Czarny	WIVAZ	KBBX
VAZ	Czarny	Silver	WIVAZ	KBSX
VAZ	Czarny	Chrom	WIVAZ	KBCX



# TERMA SMART

## TAILOR-MADE APPLICATION

Allows the comfort of remote management of each Terma Smart wi-fi heating device.

Makes it easier to manage home by dividing it into heating zones and setting separate system operating parameters for each of them.

Provides measurable economic benefits through easy optimization of energy consumption for heating the house.

Helps to maintain high thermal comfort at all times by means of work schedules adjusted to individual needs.

Allows easy monitoring of the operation of devices throughout the home.

Allows easy monitoring of the costs generated by the system.

Allows the integration of any number of heating devices, which makes it a perfect room temperature management system in flats and apartments.

## SAFETY AND SMART OPTIONS

User safety is ensured by drivers based on temperature control algorithms, and each heating device has a type-specific thermal protection to prevent overheating. The AntiFrost protection function and the (optional) window opening sensor remain active in the background.

The self-learning Early Start function and the three operating modes (Comfort, Balanced and Economic) support the individual preferences of the user. The SMART location function reduces the temperature in each room whenever all the inhabitants leave the house.